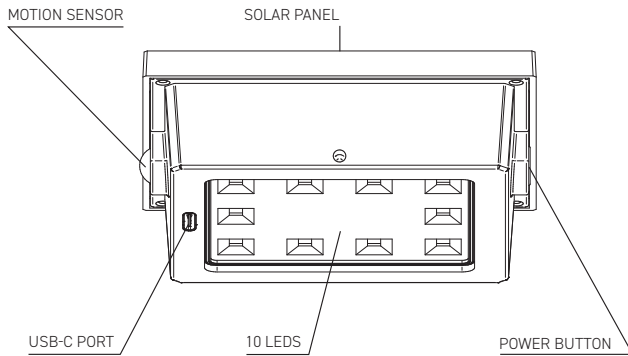
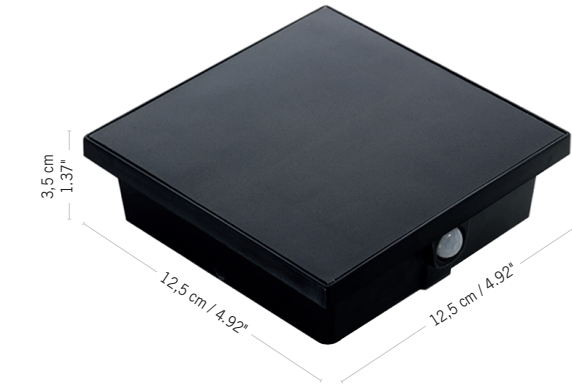
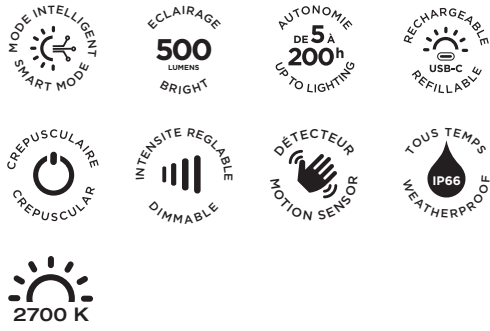


# SMART SOLAR MODULE

## 500 LUMENS



Example of positioning in Aix-en-Provence.  
Expected performance in the middle of each month.  
Hypothesis: 2.4-W panel and new batteries.

Month	Recoverable energy in Wh	Length of night in hours	Brightness in lm (mode 1)	Average battery life at 500 lm in hours
January	102	13:40	56	01:08
February	146	12:30	87	01:38
March	234	11:10	157	02:37
April	294	09:35	219	03:18
May	354	08:10	257	03:58
June	384	07:30	279	04:18
July	398	07:30	279	04:28
August	344	09:00	233	03:51
September	255	10:30	182	02:51
October	176	12:00	110	01:58
November	109	13:15	62	01:13
December	88	13:55	47	00:59

### TECHNICAL FILE

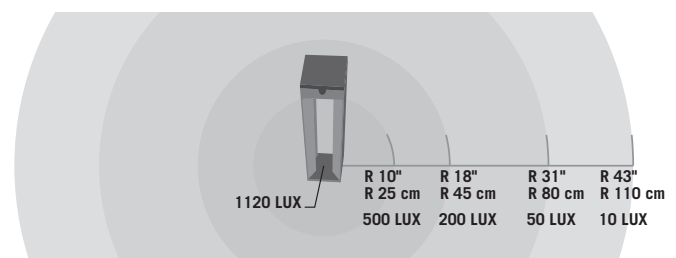
REF. : TINK721

DATE : 30<sup>TH</sup> JULY 2025 - V1



Item	Unit	Value
Nominal luminous Flux	lm	500
Minimum dimmed luminous Flux	lm	5
Lifetime at LED temperature of 85°C L70B50	hours	> 50,000
Color temperature	K	3000
CRI		80
Color Kitting CIE x at 350lm 25°C		0,424 to 0,445
Color Kitting CIE Y at 350lm 25°C		0,391 to 0,410
Storage temperature	°C	-20 to 60
Charging temperature	°C	-10 to 60
Discharge temperature	°C	-20 to 60
Expected battery lifespan to 70 % remaining capacity	years	3 to 6
Battery format		18650
Battery nominal voltage	V	3,65
Battery nominal capacity	mAh	5200
Battery life at 500 lm	hours	5
Battery life at 125 lm	hours	21
Solar panel power	W	2,4
Solar panel coating		ETFE
Solar cell type		Sunpower
Charging port		USB-C IPX7
USB charging power	W	2,5
USB charging time	hours	7
Motion sensor detection angle	°	120
Motion sensor range at 0° angle	m	5 to 15
Weatherproofing		IP66
Weight	kg	0,33
Available working modes		Smart Personalized Forced on
EMC radiated immunity		EN61547:2009 level 2
Electrostatic discharge immunity		EN61547:2009 level 2 criteria B
Radiated emissions		EN55015:2013 level 3a/3b
Photobiological safety group		EN 62471:2008 exempt IEC TR 62778: 2014 RG1

LUX /DISTANCE  
Test performed with the TINK170 light 500 lm



Imported by:  
Europe & Middle East  
SEL - LES JARDINS®  
1115, Rue René Descartes  
ZAC du Parc de la Duranne  
13857 Aix-En-Provence - France

Imported by:  
Les Jardins Americas  
Hastings Ranch 2850 Greenhill Road  
Pasadena, CA 91107 - USA

# LES JARDINS®

AIX-EN-PROVENCE